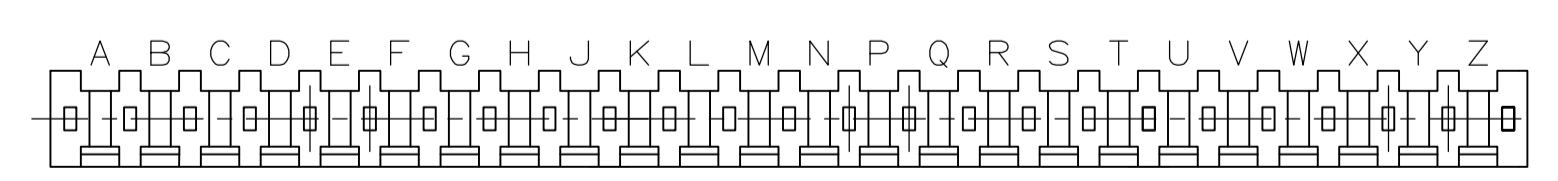
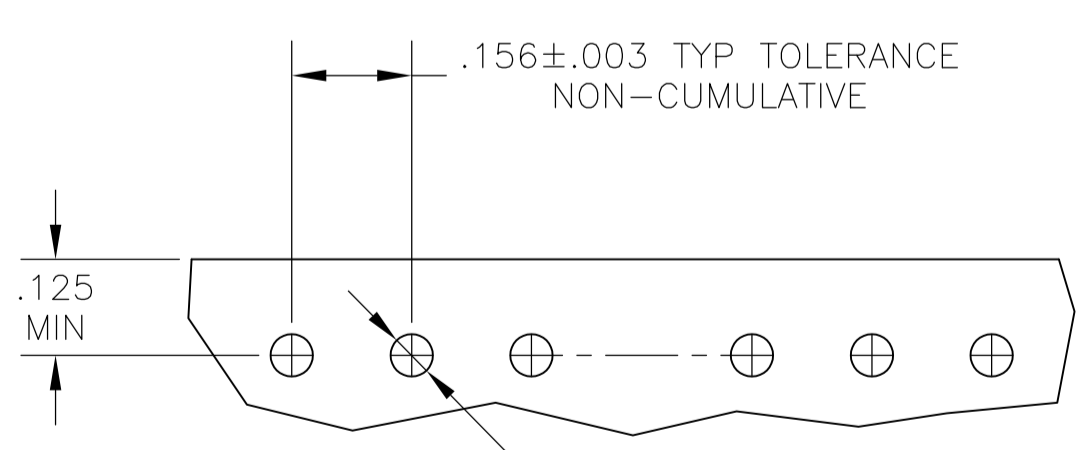
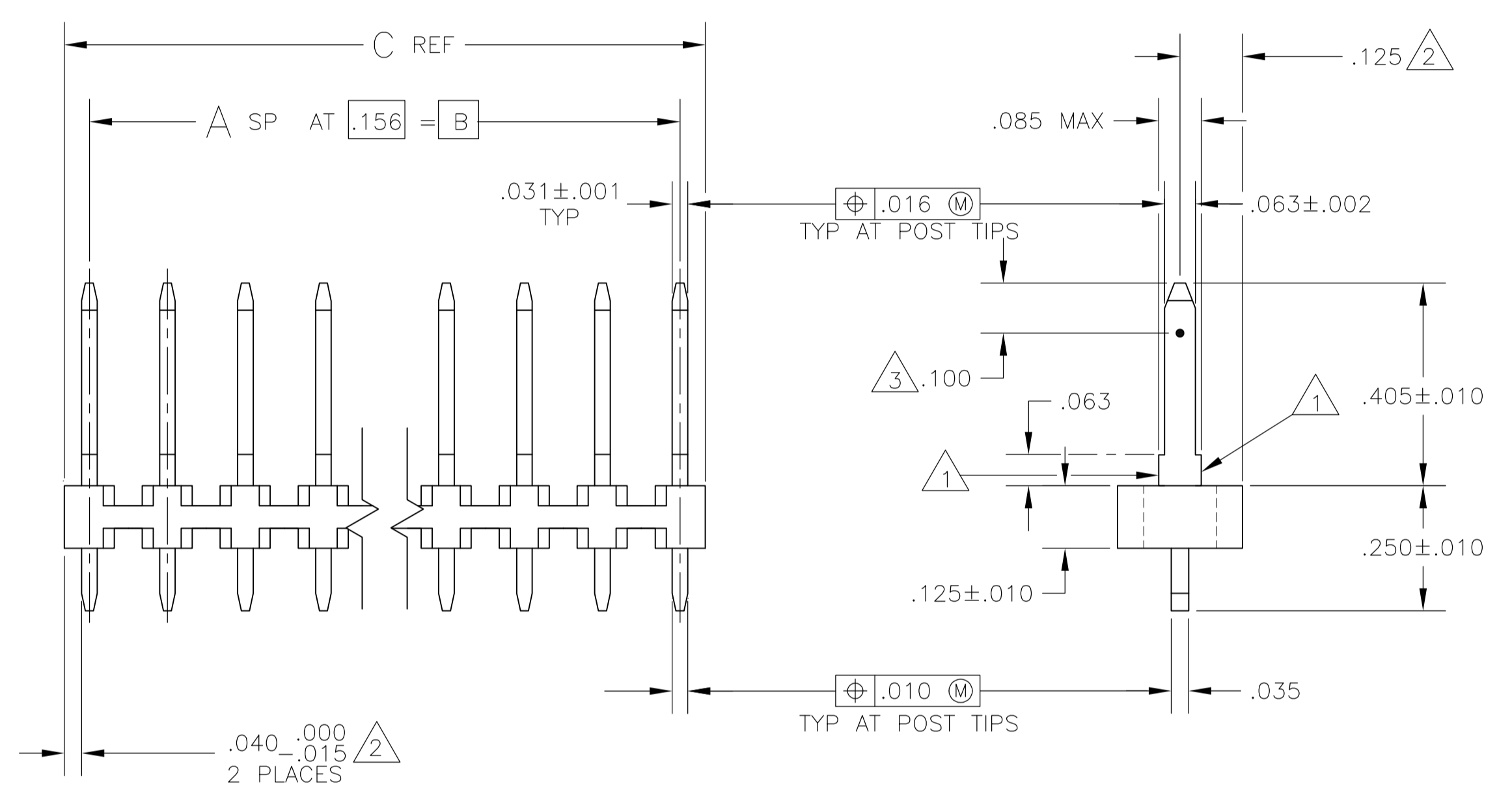


- ① THESE SURFACES WILL NOT BE PLATED
- ② THE NOTED DIMENSIONS APPLY AT THE INTERSECTION OF THE POST AND THE HOUSING
- ③ POINT OF MEASUREMENT FOR PLATING THICKNESS
- ④ OBSOLETE PARTS: OBSOLETE CIS STREAMLINING PER D.RENAUD/D.SINISI
- ⑤ PRELIMINARY PART - NOT RELEASED FOR PRODUCTION



KEYWAY LOCATIONS (REF-SEE TABLE)
(MATING LENGTH OF POST ON NEAR SIDE)
SCALE: 2:1

| KEYWAY LOCATIONS | NO OF KEYWAY | C | B | A | NO OF POSN | ASSEMBLY PART NUMBER | |
|------------------|-------------------------|------|-------|-------|------------|----------------------|-----------|
| ⑤ | NONE | NONE | 1.827 | 1.716 | 11 | 12 | 3-87633-7 |
| OBSOLETE | NONE | NONE | 5.415 | 5.304 | 34 | 35 | 3-87633-6 |
| OBSOLETE | NONE | NONE | 5.259 | 5.148 | 33 | 34 | 3-87633-5 |
| OBSOLETE | NONE | NONE | 5.103 | 4.992 | 32 | 33 | 3-87633-4 |
| OBSOLETE | NONE | NONE | 4.947 | 4.836 | 31 | 32 | 3-87633-3 |
| OBSOLETE | NONE | NONE | 4.791 | 4.680 | 30 | 31 | 3-87633-2 |
| OBSOLETE | NONE | NONE | 4.635 | 4.524 | 29 | 30 | 3-87633-1 |
| OBSOLETE | NONE | NONE | 4.479 | 4.368 | 28 | 29 | 3-87633-0 |
| OBSOLETE | NONE | NONE | 4.323 | 4.212 | 27 | 28 | 2-87633-9 |
| OBSOLETE | NONE | NONE | 4.167 | 4.056 | 26 | 27 | 2-87633-8 |
| OBSOLETE | NONE | NONE | 4.011 | 3.900 | 25 | 26 | 2-87633-7 |
| | NONE | NONE | 1.111 | - | - | 1 | 2-87633-6 |
| OBSOLETE | A,C,E,H,K,M,Q,S,U,W,Y | 11 | 3.855 | 3.744 | 24 | 25 | 2-87633-5 |
| | A,C,E,G,J,L,N,Q,S,U,W,Y | 12 | 3.699 | 3.588 | 23 | 24 | 2-87633-4 |
| | A,D,G,K,N,R,U,X | 8 | 3.543 | 3.432 | 22 | 23 | 2-87633-3 |
| ④ | A,C,E,G,J,L,N,Q,S,U,W | 11 | 3.387 | 3.276 | 21 | 22 | 2-87633-2 |
| | A,D,G,K,N,R,U | 7 | 3.231 | 3.120 | 20 | 21 | 2-87247-1 |
| | A,C,E,G,J,L,N,Q,S,U | 10 | 3.075 | 2.964 | 19 | 20 | 2-87633-0 |
| | B,D,F,J,L,N,Q,S | 8 | 2.919 | 2.808 | 18 | 19 | 1-87633-9 |
| | A,D,F,J,M,P,S | 7 | 2.763 | 2.652 | 17 | 18 | 1-87633-8 |
| OBSOLETE | A,D,G,K,N,R | 6 | 2.607 | 2.496 | 16 | 17 | 1-87633-7 |
| ④ | A,C,E,G,J,L,N,Q | 8 | 2.451 | 2.340 | 15 | 16 | 1-87633-6 |
| | A,D,G,K,N | 5 | 2.295 | 2.184 | 14 | 15 | 1-87633-5 |
| OBSOLETE | A,C,E,G,J,L,N | 7 | 2.139 | 2.028 | 13 | 14 | 1-87633-4 |
| ④ | A,D,J,M | 4 | 1.983 | 1.872 | 12 | 13 | 1-87633-3 |
| | A,C,E,G,J,L | 6 | 1.827 | 1.716 | 11 | 12 | 1-87633-2 |
| ④ OBSOLETE | A,D,G,K | 4 | 1.671 | 1.560 | 10 | 11 | 1-87633-1 |
| | A,C,E,G,J | 5 | 1.515 | 1.404 | 9 | 10 | 1-87633-0 |
| | A,D,G | 3 | 1.359 | 1.248 | 8 | 9 | 87633-9 |
| | A,C,E,G | 4 | 1.203 | 1.092 | 7 | 8 | 87633-8 |
| ④ OBSOLETE | A,C,E | 3 | 1.047 | .936 | 6 | 7 | 87633-7 |
| | A,C,E | 3 | .891 | .780 | 5 | 6 | 87633-6 |
| | A,D | 2 | .735 | .624 | 4 | 5 | 87633-5 |
| | A,C | 2 | .579 | .468 | 3 | 4 | 87633-4 |
| | A | 1 | .423 | .312 | 2 | 3 | 87633-3 |
| ④ OBSOLETE | A | 1 | .267 | .156 | 1 | 2 | 87633-2 |

| | | | | |
|--|--|-----------------------------|-----------------|------------|
| THIS DRAWING IS A CONTROLLED DOCUMENT. | | DIN L A MAYER 07JAN87 | TE Connectivity | |
| DIMENSIONS: INCHES | | CHK E HUBBEN 11FEB87 | | |
| TOLERANCES UNLESS OTHERWISE SPECIFIED: | | APVD E HUBBEN 11FEB87 | NAME | |
| 0 PLC ± - 1 PLC ± - 2 PLC ± - 3 PLC ± .005 4 PLC ± - ANGLES ± - | | PRODUCT SPEC 108-25016 | | |
| MATERIAL: HOUSING - FLAME RETARDANT THERMOPLASTIC, COLOR-BLACK POSTS - BRASS | | APPLICATION SPEC | | SIZE: A1 |
| FINISH: .00015 GOLD IN CONTACT AREA GOLD FLASH ON REMAINDER OF POST ALL OVER .00050 GOLD | | WEIGHT: - | | SCALE: 4:1 |
| CUSTOMER DRAWING | | SHEET 1 OF 1 | | REV L2 |